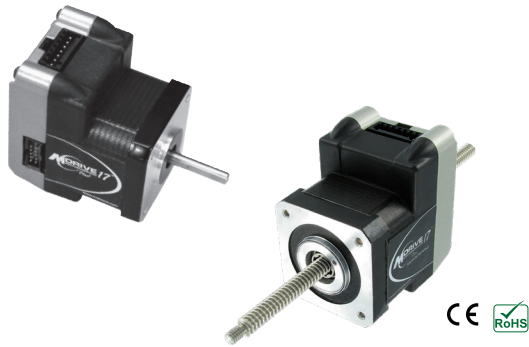


## Quick Reference

# MDrive® 17 Step/Direction Input



### Notes and Warnings

Installation, configuration and maintenance must be carried out by qualified technicians only.

- Unexpected dangers may be encountered when working with this product!
- Incorrect use may destroy this product and connected components!
- The drives are not protected from reverse polarity power connection!

Detailed information on installation can be found in the user manuals. The user manuals are available for download from: <https://novantaims.com/downloads/>

### Required for Setup\*

- IBM compatible PC running Microsoft® Windows 7 or higher with available USB port.
- Monitor with a minimum of 1024 x 768 resolution.
- SPI Motor Interface (available online).
- +12 to +48 VDC linear or switching power supply.
- 0 to 5 MHz clock signal for step clock, may be a controller high speed output or signal generator.
- SPST switch or controller I/O point to control axis direction.
- SPI communications interface (e.g., MD-CC300-001 or MD-CC303-001 communication converters).

Depending on the MDrive connectors configuration, the following may be required:

- If using a 7-pin pluggable terminal, 22 AWG shielded twisted pairs is recommended for logic wiring. Wire gauge for power connection varies with the distance from the MDrive and current. See the product manual for requirements.
- I/O, Power and Communications interface to 12-pin wire crimp connector (e.g., PD12-1434-FL3 prototype development cable).

\* If the MDrive is purchased with a QuickStart Kit, all the connecting cables needed for initial functional setup and system testing are included.

### Getting Started

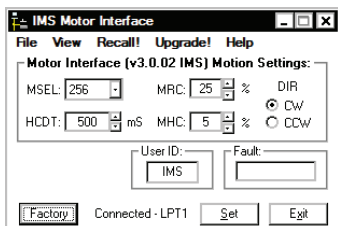
All documentation, software, and resources are available online at: <https://novantaims.com/>

#### Connecting Power and I/O

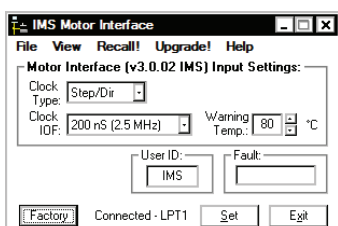
The MDrive is configured with power and I/O combined on a single connector. Refer to "Step/Direction Input Connectivity Options" on page 2 for connecting details and available connectivity options, including prototype development cables and mating connector kits.

#### Connecting Communications

1. Connect the USB of the SPI communications converter to the PC.
2. Connect the 12-pin connector of the SPI communications converter to the MDrive.
3. Install the communication converter drivers onto PC (available online).
4. Install and open SPI Motor Interface.
5. Apply power to MDrive.
6. Parameters may be adjusted via two screens, the Motor Settings screen or the I/O Settings screen (shown below), accessible via the View menu.



Motor Settings Screen



I/O Settings Screen

### General Specifications

#### Electrical Specifications

Input Voltage (+V) Range*	+12 to +48 VDC
Max Power Supply Current (Per MDrive 17)*	2 A

\*Actual Power Supply Current will depend on voltage and load.

#### Environmental Specifications

Operating Temperature (non-condensing)	Heat Sink	-40°C to +85°C
	Motor	-40°C to +100°C

#### Isolated Input Specifications

Step Clock, Direction and Enable	Universal	Differential
Voltage Range (Sinking or Sourcing)	+5 to +24 VDC	0 to +5VDC
Input High Level Voltage	—	3.75 to 5.75 VDC
Input Low Level Voltage	—	≤1.2 VDC
Current (+5V Max)	8.7 mA	11.7 mA
Current (+24V Max)	14.6 mA	—

#### Motion Specifications

Digital Filter Range	50 nS to 12.9 μS (10 MHz to 38.8 kHz)
Clock Types	Step/Direction, Up/Down, Quadrature
Step Frequency (Max)	5 MHz
Step Frequency Minimum Pulse Width	100 nS
Number of Microstep Resolution Settings	20

	Available Microsteps Per Revolution				
	1	2	4	5	8
per step	1	2	4	5	8
per rev.	200	400	800	1000	1600
per step	10	16	25	32	50
per rev.	2000	3200	5000	6400	10000
per step	64	100	125	128	200
per rev.	12800	20000	25000	25600	40000
per step	250	256	180	108	127
per rev.	50000	51200	36000 <sup>1</sup>	21600 <sup>2</sup>	25400 <sup>3</sup>

1=0.01 deg/μstep 2=1 arc minute/μstep 3=0.001 mm/μstep

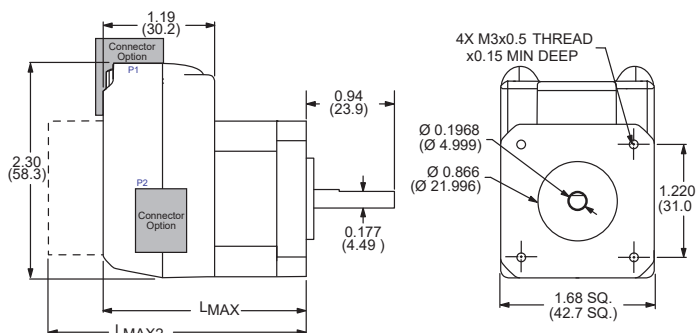
### Setup Parameters

#### Setup Parameters

Name	Function	Range	Units	Default
MHC	Motor Hold Current	0 to 100	Percent	5
MRC	Motor Run Current	1 to 100	Percent	25
MSEL	Microstep Resolution	See Motion Specifications	μsteps/ Full Step	256
DIR	Motor Direction Override	0/1	—	CW
HCDDT	Hold Current Delay Time	0 or 2 - 65535	mSec	500
CLK TYPE	Clock Type	See Motion Specifications	—	Step/ Direction
CLK IOF	Clock Input Filter	50 nS to 12.9 μS (10 MHz to 38.8 kHz)	nS (MHz)	200 nS (2.5MHz)
EN ACT	Enable Active High/Low	High/Low	—	High
USER ID	User ID	3 Characters Viewable ASCII	Viewable ASCII	IMS

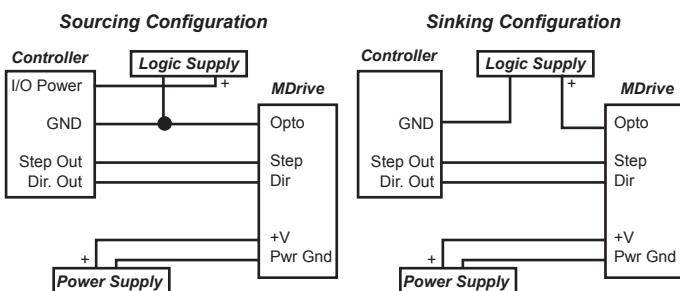
### Mechanical Specifications

NOTE: For linear actuator products, see manual for screw specifications.



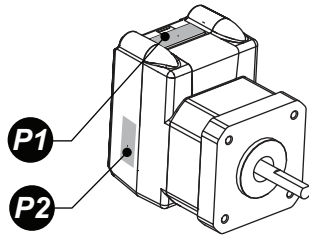
Motor Length	Dimensions in inches (mm)	
	LMAX1 (Single Shaft or Internal Encoder)	LMAX2 (Control Knob or External Encoder)
Single	2.20 (55.9)	2.79 (70.9)
Double	2.43 (61.7)	3.02 (76.7)
Triple	2.77 (70.4)	3.37 (85.6)

### Minimum Required Connections



# MDrive 17

## Step/Direction Input Connectivity Options



Connector Style	Function
<b>P1</b> Pluggable Terminal.....	I/O and Power
Flying Leads.....	I/O and Power
12-pin Wire Crimp.....	I/O, Power and Communications
<b>P2</b> 10-pin IDC.....	Communications

### **P1** I/O & Power (Universal or Differential Inputs)

Pluggable terminal or flying leads

Pluggable Terminal

Pin #	Universal	Differential
1	Opto	CW+
2	No Connect	No Connect
3	Step Clock	CW-
4	Direction	CCW-
5	Enable	CCW+
6	Ground	Ground
7	+V	+V

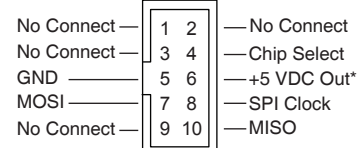
Flying Lead Colors

Wire Color	Universal	Differential
White	Opto	CW+
Orange	Step Clock	CW-
Blue	Direction	CCW-
Brown	Enable	CCW+
Black	Ground	Ground
Red	+V	+V

User Supplied Recommended Wire: 22 AWG Stranded

### **P2** Communications

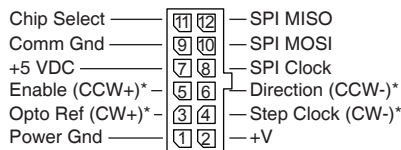
10-pin IDC



\*Used to power the MD-CC300-001 only.

### **P1** I/O, Power & Comm. (Universal or Differential Inputs)

12-pin wire crimp



\*Differential inputs shown in parenthesis

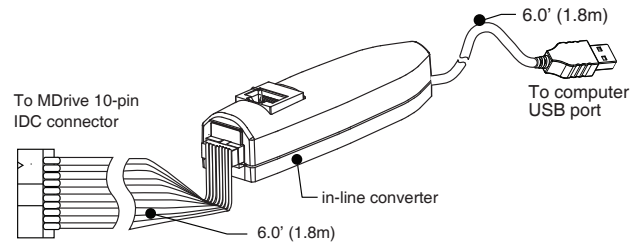
**CONNECTOR PRODUCT ALERT!** October 2009

Disregard these pin number markings. Use the pin numbering scheme shown above.

The manufacturer of this 12-pin wire crimp connector has begun marking the connector shell, PN 1-794617-2 with pin numbers shown here.

### Communications Converter p/n: MD-CC300-001

Electrically isolated in-line USB to SPI converter pre-wired with mating connector to conveniently program and set configuration parameters.



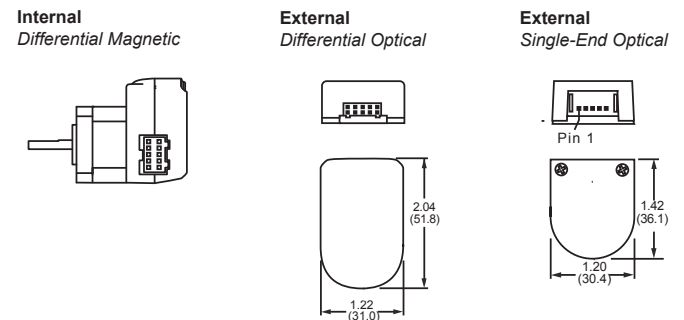
### Mating Connector Kit p/n: CK-01

Use to make cables, kit contains 5 mating connector shells for making interface cables.

IDC Parts	Shell:	SAMTEC TCSD-05-01-N
	Ribbon Cable:	TYCO 1-57051-9

### Encoder Options

Three (3) different encoder styles are available, detailed below. Refer to the product manual for pin numbering and location.



### Optional Encoder Cables

p/n: ED-CABLE-JST10  
10.0' (3.0 m)

wire color: signal  
Orange/White: CH B-  
White/Orange: CH B+  
White/Blue: IDX+  
Blue/White: IDX-  
White/Green: CH A+  
Green/White: CH A-  
White/Brown: Ground  
Brown/White: N/C

p/n: ED-CABLE-6  
6.0' (1.8 m)

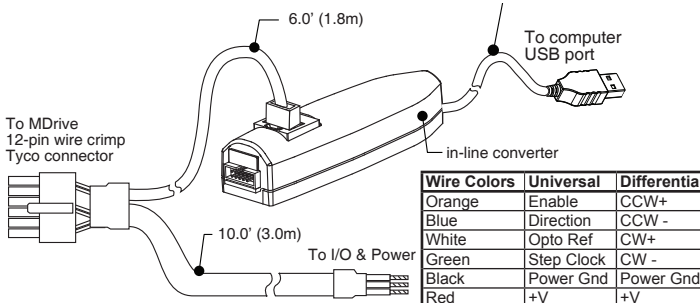
wire color: signal  
Orange/White: +5 VDC In  
White/Orange: Ground  
White/Blue: CH A-  
Blue/White: CH A+  
White/Green: CH B-  
Green/White: CH B+  
White/Brown: IDX-  
Brown/White: IDX+

p/n: ES-CABLE-2  
12' (30.4 cm)

wire color: signal  
(Pin 1) Brown: Ground  
Blue: CH A  
Orange: +5 VDC In  
Yellow: CH B

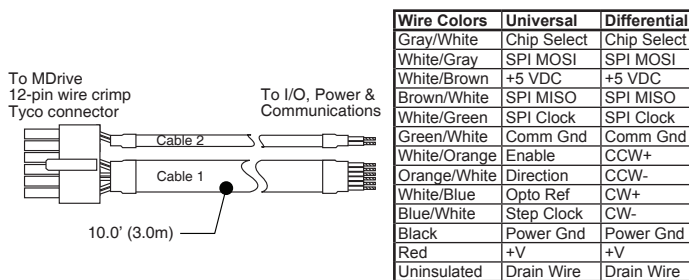
### Communications Converter p/n: MD-CC303-001

Electrically isolated in-line USB to SPI converter pre-wired with mating connector to conveniently program and set configuration parameters. A secondary cable from the mating connector provides interface to power and I/O.



### Prototype Development Cable p/n: PD12-1434-FL3

Speed test and development with pre-wired mating connector.



Wire Colors	Universal	Differential
Gray/White	Chip Select	Chip Select
White/Gray	SPI MOSI	SPI MOSI
White/Brown	+5 VDC	+5 VDC
Brown/White	SPI MISO	SPI MISO
White/Green	SPI Clock	SPI Clock
Green/White	Comm Gnd	Comm Gnd
White/Orange	Enable	CCW+
Orange/White	Direction	CCW-
White/Blue	Opto Ref	CW+
Blue/White	Step Clock	CW-
Black	Power Gnd	Power Gnd
Red	+V	+V
Uninsulated	Drain Wire	Drain Wire

### Mating Connector Kit p/n: CK-03

Use to make cables, kit contains 5 mating connector shells for making interface cables. Tyco crimp tool recommended.

Tyco Parts	Shell:	1-794617-2
	Pins:	794610-1

### Differential Input Option

Replaces the 0 to 24VDC Universal inputs with +5 VDC tolerant line driven differential inputs.

The inputs replaced are shown in the table on the right with the differential input counterpart.

Universal Input	Differential Input
Opto Reference	CW +
Step Clock Input	CW -
CW/CCW Direction Input	CCW -
Enable Input	CCW +

**NOTE:** The differential inputs have a maximum input voltage of 5.75 VDC!  
**DO NOT EXCEED THIS LEVEL!**

