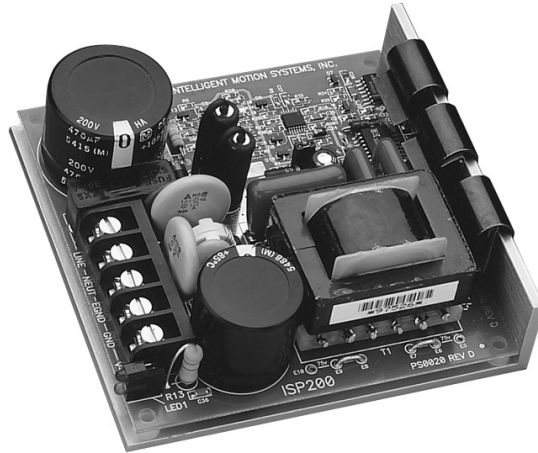


ISP200

COMPACT HIGH OUTPUT SWITCH MODE POWER SUPPLY

FEATURES

- Compact Size
- Efficient Switch Mode Design
- High Output Power (120 Watts)
- Specifically Designed to Power Motor Drivers
- Short Circuit and Thermal Protection
- Wide Input Voltage Range (-15%, +10%)
- 120 VAC and 240 VAC Versions (50/60Hz)
- Power and Fault LEDs
- Short Circuit and Over Voltage
- Temperature Protection



DESCRIPTION

The ISP200 switch mode power supply has been designed specifically for supplying power to the inductive loads found in stepping and DC motors. Conventional switching power supplies are designed for the constant, unvarying loads of circuit boards and are not tolerant of the current surges produced by rapid changes in power demand and the inductance of motor coils.

This supply is capable of delivering 3 Amps (-4), 2 Amps (-7) of peak current and has the ability to absorb inductive current surges associated with stepping and DC motors. This produces more even output power which enables motors to operate at higher performance levels.

The ISP200 is well protected with designed-in short circuit and over voltage temperature protection circuits. The protection circuits, along with LEDs for fault and power, are provided to aid in troubleshooting.

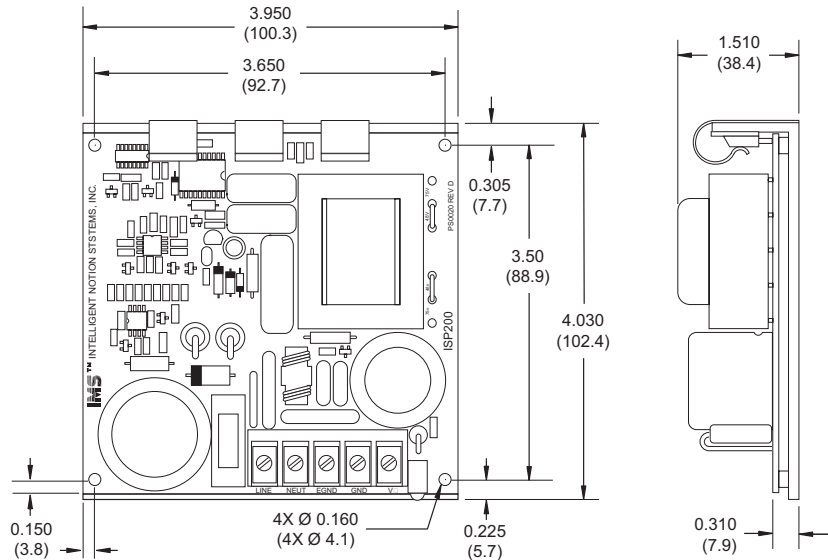
The lightweight, compact packaging of the ISP200 permits easy integration of the power supply into OEM equipment.

THERMAL SPECIFICATIONS

Operating Temperature..... 0 to 50° C
 Storage Temperature-40 to 125° C
 Max Heat Sink Temperature 70° C

MECHANICAL SPECIFICATIONS

Dimensions in Inches (mm)



ELECTRICAL SPECIFICATIONS

	ISP200-4	ISP200-7
AC Input Voltage, 120 VAC Version ...	102-132 VAC	102-132 VAC
240 VAC Version	204-264 VAC	204-264 VAC
Input Frequency.....	50/60 Hz	50/60 Hz
No Load Output Voltage*	41 VDC @ 0 Amps	70 VDC @ 0 Amps
Continuous Output Rating*	38 VDC @ 1.5 Amps	62 VDC @ 1 Amp
Peak Output Rating*	35 VDC @ 3 Amps	59 VDC @ 2 Amps

*Measurements taken @ 25° C, 120 VAC, 60 Hz

OPTIONS

ISP200H (-4 or -7).....	240 VAC Input
U3-CLP	Side Mounting Clip Set