



intelligent motion systems, inc.  
Excellence in Motion™

# MD-CC200-000

**INTEGRATED RS-232 TO RS-485  
COMMUNICATIONS CONVERTER CABLE**

## QUICK REFERENCE



370 N. MAIN ST., PO BOX 457, MARLBOROUGH, CT 06447  
PH: (860) 295-6102, FAX: (860) 295-6107  
Internet: www.imshome.com, E-Mail: info@imshome.com

### MD-CC200-000 RS-232 TO RS-485 Converter

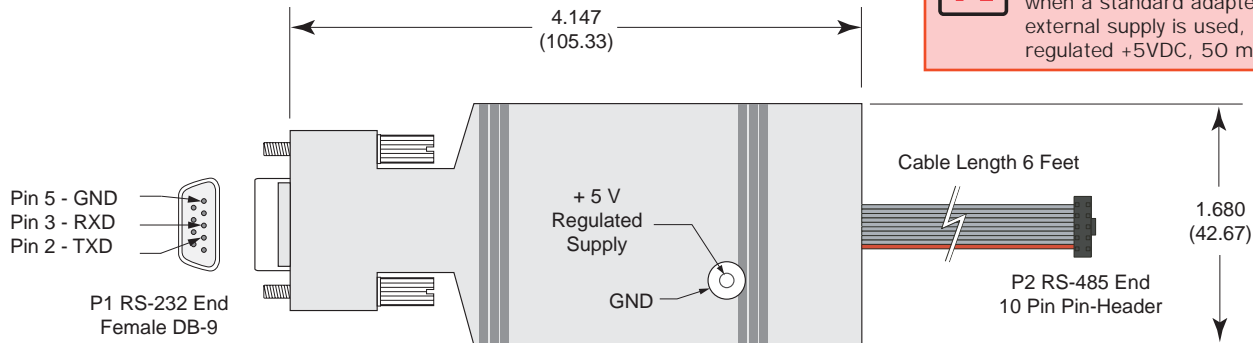
The MD-CC200-000 is an in-line RS-232 to RS-485 converter with integrated cable. This product is used to communicate to a single MDrive Motion Control Device. The 6 foot cable will allow you to connect the serial port of your PC\* directly to the MDrive Motion Control.

\* If your PC is already equipped with RS-485, the MD-CC200-000 cable is not required.

### Electrical Specifications

MD-CC200-000 Specifications	
BAUD Rate	Up to 115 kbps
Connectors:	
RS-232 Side	DB-9F
RS-485 Side	10 Pin 2mm IDC
Ribbon Cable Length	6 feet (1.8 meters)
Power Requirement	+5VDC, 50 mA (Optional) Must be Regulated

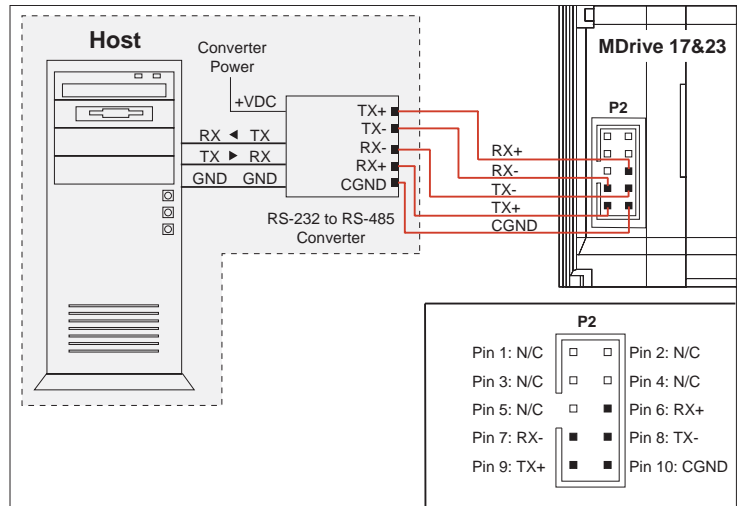
### Cable Detail



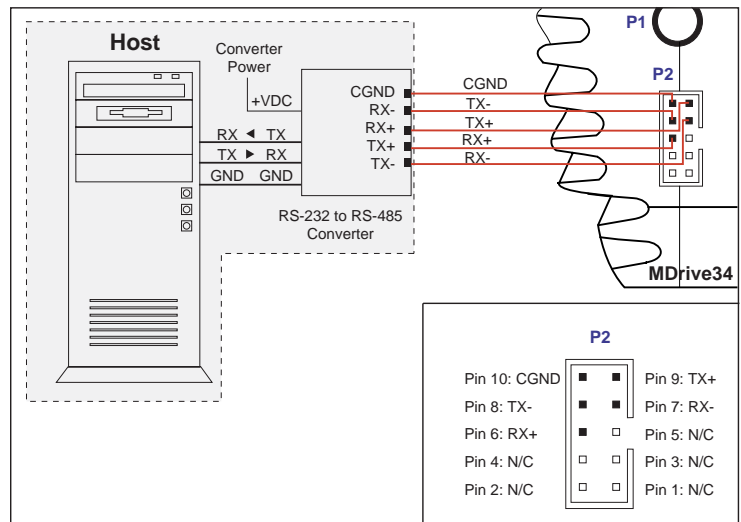
NOTE: TXD and RXD on Male Serial COMM Port on PC are reversed.

P3 - Optional +5 VDC Regulated Supply  
2.5 mm Power Jack

### Typical MD-CC200-000 Interface



P2	
Pin 1: N/C	Pin 2: N/C
Pin 3: N/C	Pin 4: N/C
Pin 5: N/C	Pin 6: RX+
Pin 7: RX-	Pin 8: TX-
Pin 9: TX+	Pin 10: CGND



P2	
Pin 10: CGND	Pin 9: TX+
Pin 8: TX-	Pin 7: RX-
Pin 6: RX+	Pin 5: N/C
Pin 4: N/C	Pin 3: N/C
Pin 2: N/C	Pin 1: N/C

**WARNING!** DO NOT connect or disconnect the MD-CC200-000 Communications Converter Cable while power is applied.

**N** Most PC serial ports are able to provide sufficient power to the MD-CC200-000 when a standard adapter is used. If an external supply is used, it must be a regulated +5VDC, 50 mA supply.