

# M DRIVE 34<sup>TM</sup>

MOTOR+DRIVER

## LINEAR ACTUATOR

### DESCRIPTION

MDrive34 Motion Control, Microstepping and Speed Control versions are available with a long life Acme Screw Linear Actuator single length motor. Standard screw length is 6.0"/152.4mm, plus the mounting end thread. Custom lengths are available up to 24.0", without mounting end thread. Screws are available with the following linear travel/step:

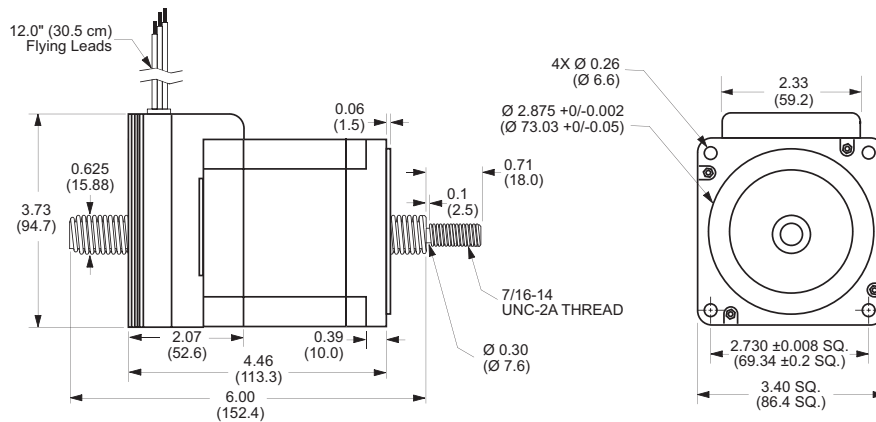
Screw A .....	0.005"/0.127mm
Screw B .....	0.0025"/0.0635mm
Screw C .....	0.00125"/0.0317mm
Screw D .....	0.000625"/0.0158mm
Screw E.....	0.0005"/0.0127mm

Linear Actuators are Non-Captive style. Contact the factory regarding Captive Shaft or External styles.

### LINEAR MOTOR SPECIFICATIONS

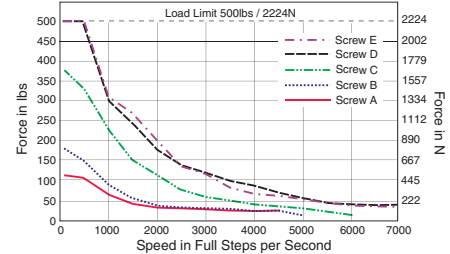
Maximum Thrust .....	500 lbs / 2224 N
Maximum Screw Deflection .....	± 1°
Backlash .....	0.005 in / 0.127 mm
Weight (without screw).....	89.0 oz / 2523.0 g

### MECHANICAL DIMENSIONS

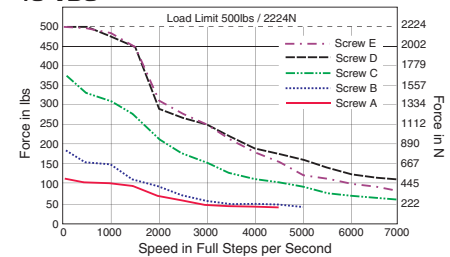


### FORCE-SPEED CURVES

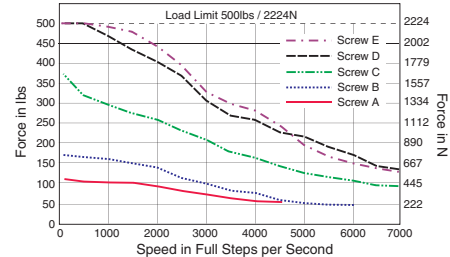
#### 24 VDC



#### 48 VDC



#### 75 VDC



### ORDER INFORMATION

MD [M/O/I] F 34 L [A/B/C/D/E] [Length]		
M = Microstepping	See Description for screw specifications	Standard 6.0" length if left blank
O = Speed Control		
I = Motion Control		



## INTELLIGENT MOTION SYSTEMS, INC.

*Excellence in Motion*<sup>TM</sup>

www.imshome.com

370 N. Main St., P.O. Box 457  
Marlborough, CT 06447 U.S.A.  
Phone: 860/295-6102  
Fax: 860/295-6107  
E-mail: info@imshome.com

#### TECHNICAL SUPPORT

**Eastern U.S.A.**  
Phone: 860/295-6102  
Fax: 860/295-6107  
E-mail: etech@imshome.com

#### Western U.S.A.

Phone: 760/966-3162  
Fax: 760/966-3165  
E-mail: wtech@imshome.com

#### Germany/UK

Phone: +49/7720/94138-0  
Fax: +49/7720/94138-2  
E-mail: mwbeber@imshome.com

#### U.S.A. SALES OFFICES

**Eastern Region**  
Phone: 862/208-9742  
Fax: 973/661-1275  
E-mail: jroake@imshome.com

#### Central Region

Phone: 260/402-6016  
Fax: 419/858-0375  
E-mail: dwaksman@imshome.com

#### Western Region

Phone: 602/578-7201  
E-mail: dweisenberger@imshome.com

#### IMS MOTORS DIVISION

105 Copperwood Way, Suite H  
Oceanside, CA 92054  
Phone: 760/966-3162  
Fax: 760/966-3165  
E-mail: motors@imshome.com

#### IMS EUROPE GmbH

Hahnstrasse 10, VS-Schwenningen  
Germany D-78054  
Phone: +49/7720/94138-0  
Fax: +49/7720/94138-2  
E-mail: info@imseuropehome.com

#### European Sales Management

4 Quai Des Etroits  
69005 Lyon, France  
Phone: +33/4 7256 5113  
Fax: +33/4 7838 1537  
E-mail: bmartinez@imshome.com

#### Germany Sales

Phone: +49/35205/4587-8  
Fax: +49/35205/4587-9  
E-mail: hruhland@imshome.com

#### Germany/UK Technical Support

Phone: +49/7720/94138-0  
Fax: +49/7720/94138-2  
E-mail: mwbeber@imshome.com

#### IMS UK Ltd.

25 Barnes Wallis Road  
Segensworth East  
Fareham, Hampshire PO15 5TT  
Singapore 048622  
Phone: +44/0 1489-889825  
Fax: +44/0 1489-889857  
E-mail: mcheckley@imshome.com

#### IMS ASIA PACIFIC OFFICE

30 Raffles Pl., 23-00 Caltex House  
Singapore 048622  
Phone: +65/6233/6846  
Fax: +65/6233/5044  
E-mail: wlee@imshome.com

#### DISTRIBUTED BY: