

MDRIVE 23™ MOTOR+DRIVER

LINEAR ACTUATOR

DESCRIPTION

MDrive23 Motion Control, Microstepping and Speed Control versions are available with a long life Acme Screw Linear Actuator single length motor. Standard screw length is 6.0"/152.4mm, plus the mounting end thread. Custom lengths from 2.0" to 24.0" are available without mounting end thread. Screws are available with the following linear travel/step:

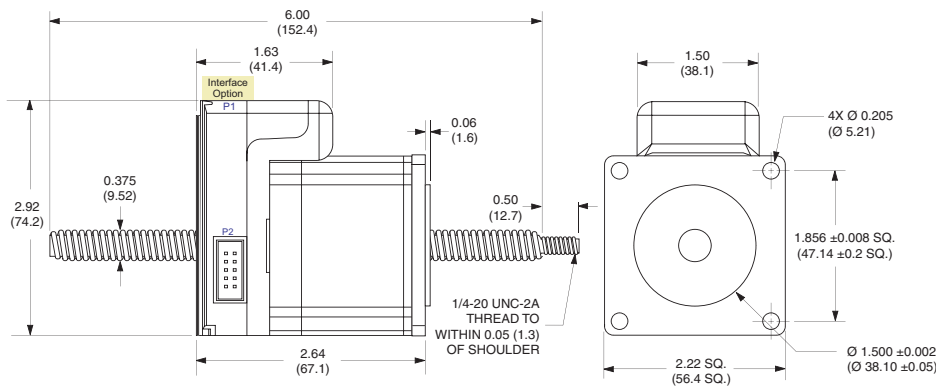
Screw F.....	0.002"/0.0508mm
Screw A.....	0.001"/0.025mm
Screw B.....	0.00083333"/0.021mm
Screw C.....	0.0005"/0.0127mm
Screw D.....	0.0004"/0.0106mm
Screw E.....	0.003125"/0.0079mm

Linear Actuators are Non-Captive style. Contact the factory regarding Captive Shaft or External styles.

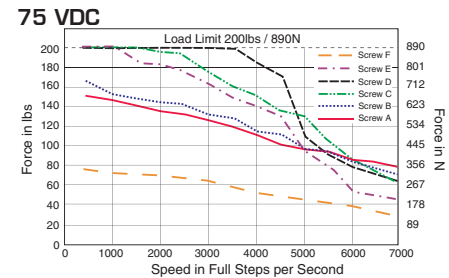
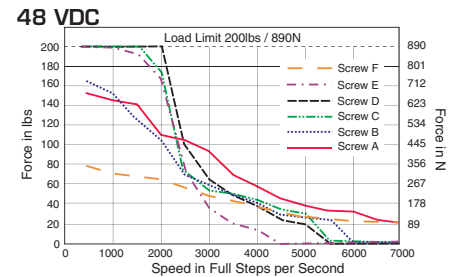
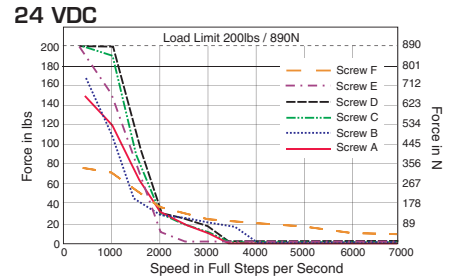
LINEAR MOTOR SPECIFICATIONS

Maximum Thrust	200 lbs / 890 N
Maximum Screw Deflection	± 1°
Backlash	0.005 in / 0.127 mm
Weight (without screw).....	20.4 oz / 578.3 g

MECHANICAL DIMENSIONS



FORCE-SPEED CURVES



ORDER INFORMATION

MD 23 L [F/A/B/C/D/E] [Length]

M=Microstepping	C=WireCrimp	See screw specs	6.0" if left blank
O=SpeedControl*	F=FlyingLeads		
I=MotionControl*	P=Pluggable		

*not available with C WireCrimp interface option



INTELLIGENT MOTION SYSTEMS, INC.

www.imshome.com

370 N. Main St., P.O. Box 457
Marlborough, CT 06447 U.S.A.
Phone: 860/295-6102
Fax: 860/295-6107
E-mail: info@imshome.com

TECHNICAL SUPPORT

Eastern U.S.A.
Phone: 860/295-6102
Fax: 860/295-6107
E-mail: etech@imshome.com

Western U.S.A.
Phone: 760/966-3162
Fax: 760/966-3165
E-mail: wtech@imshome.com

Germany/UK
Phone: +49/7720/94138-0
Fax: +49/7720/94138-2
E-mail: mwbeber@imshome.com

U.S.A. SALES OFFICES

Eastern Region
Phone: 862/208-9742
Fax: 973/661-1275
E-mail: jroake@imshome.com

Central Region
Phone: 260/402-6016
Fax: 419/858-0375
E-mail: dwaksman@imshome.com

Western Region
Phone: 602/578-7201
E-mail: dweisenberger@imshome.com

IMS MOTORS DIVISION

105 Copperwood Way, Suite H
Oceanside, CA 92054
Phone: 760/966-3162
Fax: 760/966-3165
E-mail: motors@imshome.com

IMS EUROPE GmbH

Hahnstrasse 10, VS-Schwenningen
Germany D-78054
Phone: +49/7720/94138-0
Fax: +49/7720/94138-2
E-mail: info@imseuropehome.com

European Sales Management
4 Quai Des Etroits
69005 Lyon, France
Phone: +33/4 7256 5113
Fax: +33/4 7838 1537
E-mail: bmartinez@imshome.com

Germany Sales

Phone: +49/35205/4587-8
Fax: +49/35205/4587-9
E-mail: hruhland@imshome.com

Germany/UK Technical Support

Phone: +49/7720/94138-0
Fax: +49/7720/94138-2
E-mail: mwbeber@imshome.com

IMS UK Ltd.

25 Barnes Wallis Road
Segensworth East
Fareham, Hampshire PO15 5TT
Singapore 048622
Phone: +44/0 1489-889825
Fax: +44/0 1489-889857
E-mail: mcheckley@imshome.com

IMS ASIA PACIFIC OFFICE

30 Raffles Pl., 23-00 Caltex House
Singapore 048622
Phone: +65/6233/6846
Fax: +65/6233/5044
E-mail: wlee@imshome.com

DISTRIBUTED BY:

Excellence in Motion™