

MDRIVE 17™ MOTOR+DRIVER

LINEAR ACTUATOR

DESCRIPTION

MDrive17 Microstepping and Speed Control versions are available with a long life Acme Screw Linear Actuator single length motor. Standard screw length is 6.0"/152.4mm, plus the mounting end thread. Custom lengths from 2.0" to 24.0" are available without mounting end thread. Screws are available with the following linear travel/step:

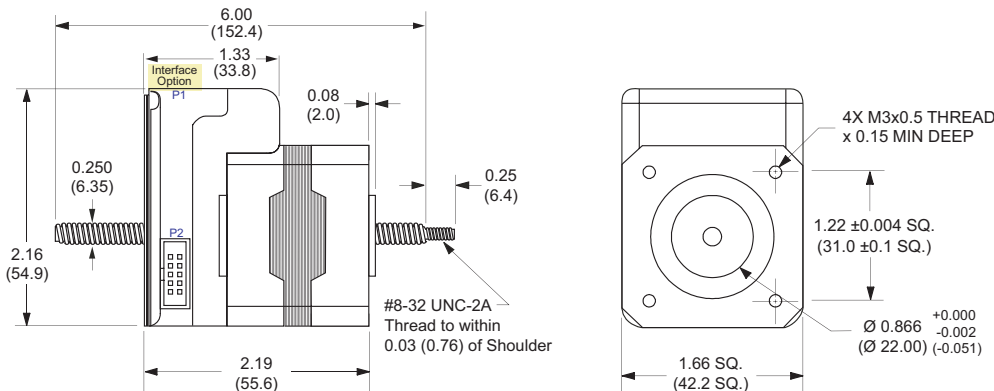
Screw A	0.00125"/0.0317mm
Screw B	0.000625"/0.0158mm
Screw C	0.0003125"/0.0079mm
Screw D	0.00015625"/0.0039mm

Linear Actuators are Non-Captive style. Contact the factory regarding Captive Shaft or External styles.

LINEAR MOTOR SPECIFICATIONS

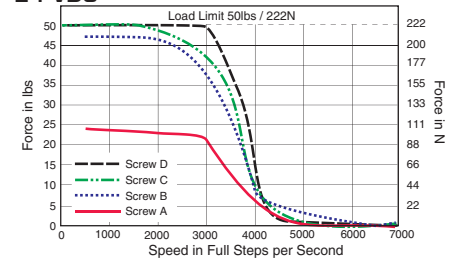
Maximum Thrust	50 lbs / 222 N
Maximum Screw Deflection	± 1°
Backlash	0.005 in / 0.127 mm
Weight (without screw)	10.4 oz / 294.8 g

MECHANICAL DIMENSIONS

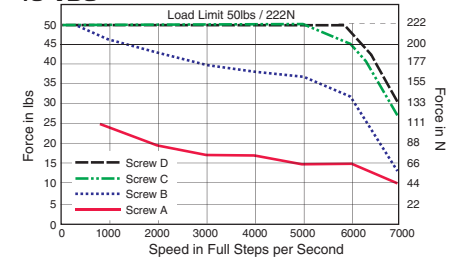


FORCE-SPEED CURVES

24 VDC



45 VDC



ORDER INFORMATION

MD	<input type="checkbox"/>	17 L	[A/B/C/D]	[Length]
M=Microstepping	O=SpeedControl*	C=WireCrimp	F=FlyingLeads	P=Pluggable
			See screw specs	6.0" if left blank

*not available with C WireCrimp interface option



INTELLIGENT MOTION SYSTEMS, INC.

Excellence in Motion™

www.imshome.com

370 N. Main St., P.O. Box 457
Marlborough, CT 06447 U.S.A.
Phone: 860/295-6102
Fax: 860/295-6107
E-mail: info@imshome.com

TECHNICAL SUPPORT

Eastern U.S.A.
Phone: 860/295-6102
Fax: 860/295-6107
E-mail: etech@imshome.com

Western U.S.A.

Phone: 760/966-3162
Fax: 760/966-3165
E-mail: wtech@imshome.com

Germany/UK

Phone: +49/7720/94138-0
Fax: +49/7720/94138-2
E-mail: mweber@imshome.com

U.S.A. SALES OFFICES

Eastern Region
Phone: 862/208-9742
Fax: 973/661-1275
E-mail: jroake@imshome.com

Central Region

Phone: 260/402-6016
Fax: 419/858-0375
E-mail: dwaksman@imshome.com

Western Region

Phone: 602/578-7201
E-mail: dweisenberger@imshome.com

IMS MOTORS DIVISION

105 Copperwood Way, Suite H
Oceanside, CA 92054
Phone: 760/966-3162
Fax: 760/966-3165
E-mail: motors@imshome.com

IMS EUROPE GmbH

Hahnstrasse 10, VS-Schwenningen
Germany D-78054
Phone: +49/7720/94138-0
Fax: +49/7720/94138-2
E-mail: info@imseuropehome.com

European Sales Management

4 Quai Des Etroits
69005 Lyon, France
Phone: +33/4 7256 5113
Fax: +33/4 7838 1537
E-mail: bmartinez@imshome.com

Germany Sales

Phone: +49/35205/4587-8
Fax: +49/35205/4587-9
E-mail: hruhland@imshome.com

Germany/UK Technical Support

Phone: +49/7720/94138-0
Fax: +49/7720/94138-2
E-mail: mweber@imshome.com

IMS UK Ltd.

25 Barnes Wallis Road
Segensworth East
Fareham, Hampshire PO15 5TT
Phone: +44/0 1489-889825
Fax: +44/0 1489-889857
E-mail: mcheckley@imshome.com

IMS ASIA PACIFIC OFFICE

30 Raffles Pl., 23-00 Caltex House
Singapore 048622
Phone: +65/6233/6846
Fax: +65/6233/5044
E-mail: wlee@imshome.com

DISTRIBUTED BY: